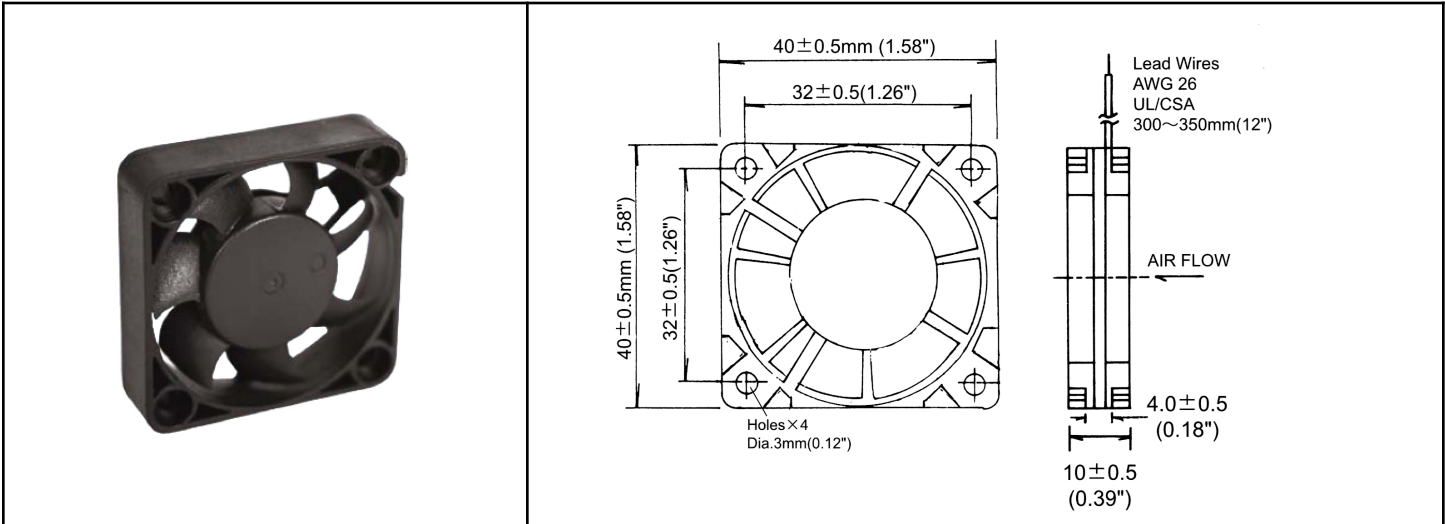


OD4010 Series



DC Fan - 5, 12, 24V
40x10mm (1.58"x 0.39")



| | | | |
|-----------------------|--|---|--|
| Frame & Impeller | PBT, UL94V-O plastic | Available Options: Tachometer (Frequency Generator) White Lead Alarm (Rotation Detector) Yellow Lead <u>Life Expectancy (L10)</u> Ball - 60,000 hrs (45C) Sleeve - 30,000 hrs (45C) <u>Operating Temperature</u> Ball: -20 ~ 80C Sleeve: -10 ~ 60C | |
| Connection | 2x Lead wires 26AWG | | |
| Motor | Brushless DC, auto restart, impedance and polarity protected | | |
| Bearing System | Ball bearing or Sleeve | | |
| Insulation Resistance | 10M ohm between leadwire and frame (500VDC) | | |
| Dielectric Strength | 1 second at 500 VAC, max leakage - 500 MicroAmp | | |
| Storage Temperature | -30C ~ +90C | | |

| Model Number | Speed (RPM) | Airflow (CFM) | Noise (dB) | Volts DC | Voltage Range (VDC) | Amps | Max. Static Pressure (\"H2O) |
|--------------|-------------|---------------|------------|----------|---------------------|------|------------------------------|
| OD4010-05H * | 7000 | 4.8 | 30 | 5 | 4 ~ 7 | .12 | .17 |
| OD4010-05M * | 5000 | 3.8 | 24 | 5 | 4 ~ 7 | .10 | .14 |
| OD4010-05L * | 4000 | 2.5 | 20 | 5 | 4 ~ 7 | .09 | .12 |
| OD4010-12H * | 8000 | 5.0 | 30 | 12 | 7 ~ 14 | .08 | .18 |
| OD4010-12M * | 6000 | 4.0 | 24 | 12 | 7 ~ 14 | .07 | .14 |
| OD4010-12L * | 4000 | 2.5 | 20 | 12 | 7 ~ 14 | .06 | .12 |
| OD4010-24H * | 8000 | 5.0 | 30 | 24 | 10 ~ 27 | .06 | .18 |
| OD4010-24M * | 6000 | 4.0 | 24 | 24 | 10 ~ 27 | .05 | .14 |
| OD4010-24L * | 4000 | 2.5 | 20 | 24 | 10 ~ 27 | .04 | .12 |

* Indicate "B" for ball bearing or "S" for sleeve bearing